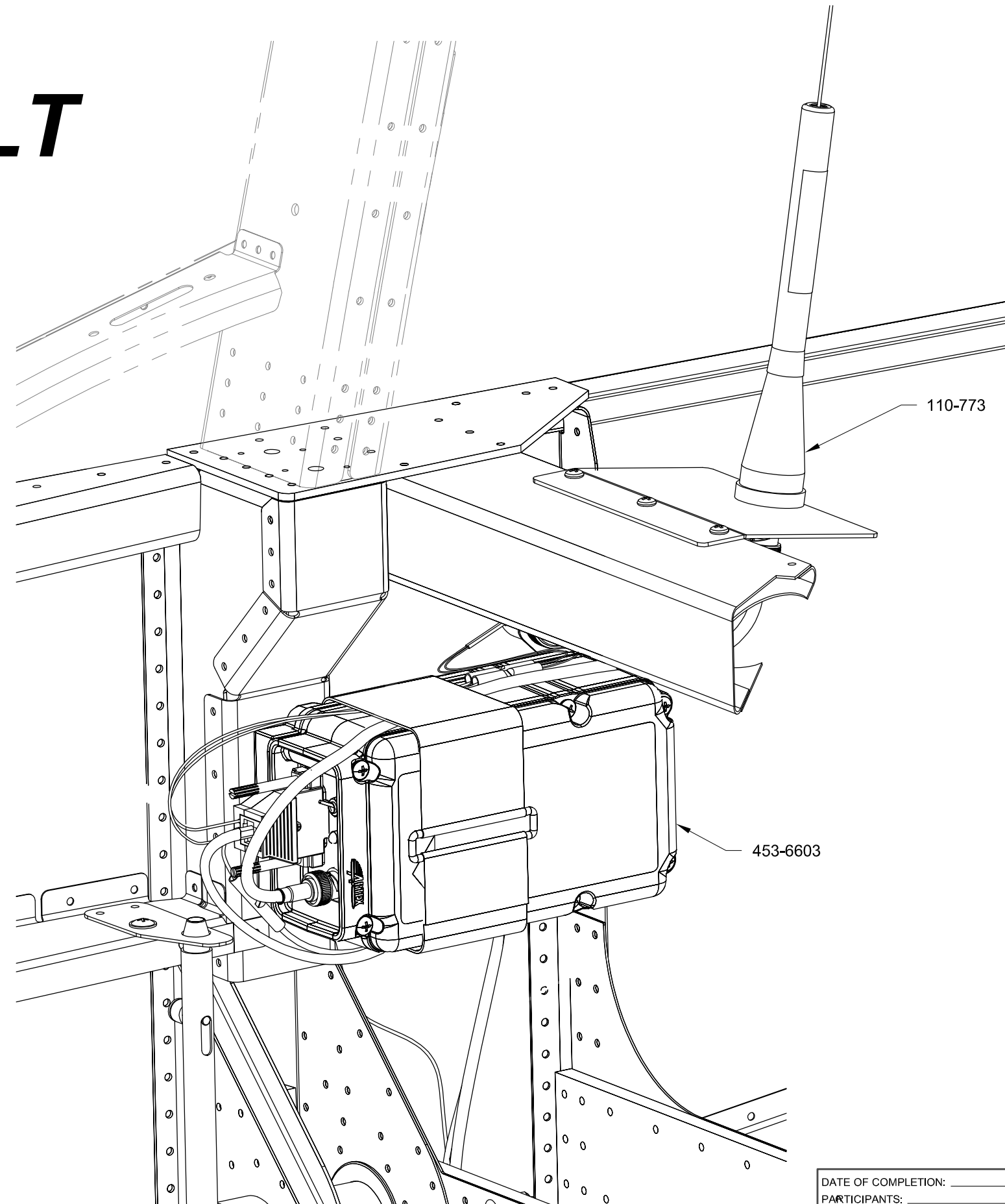
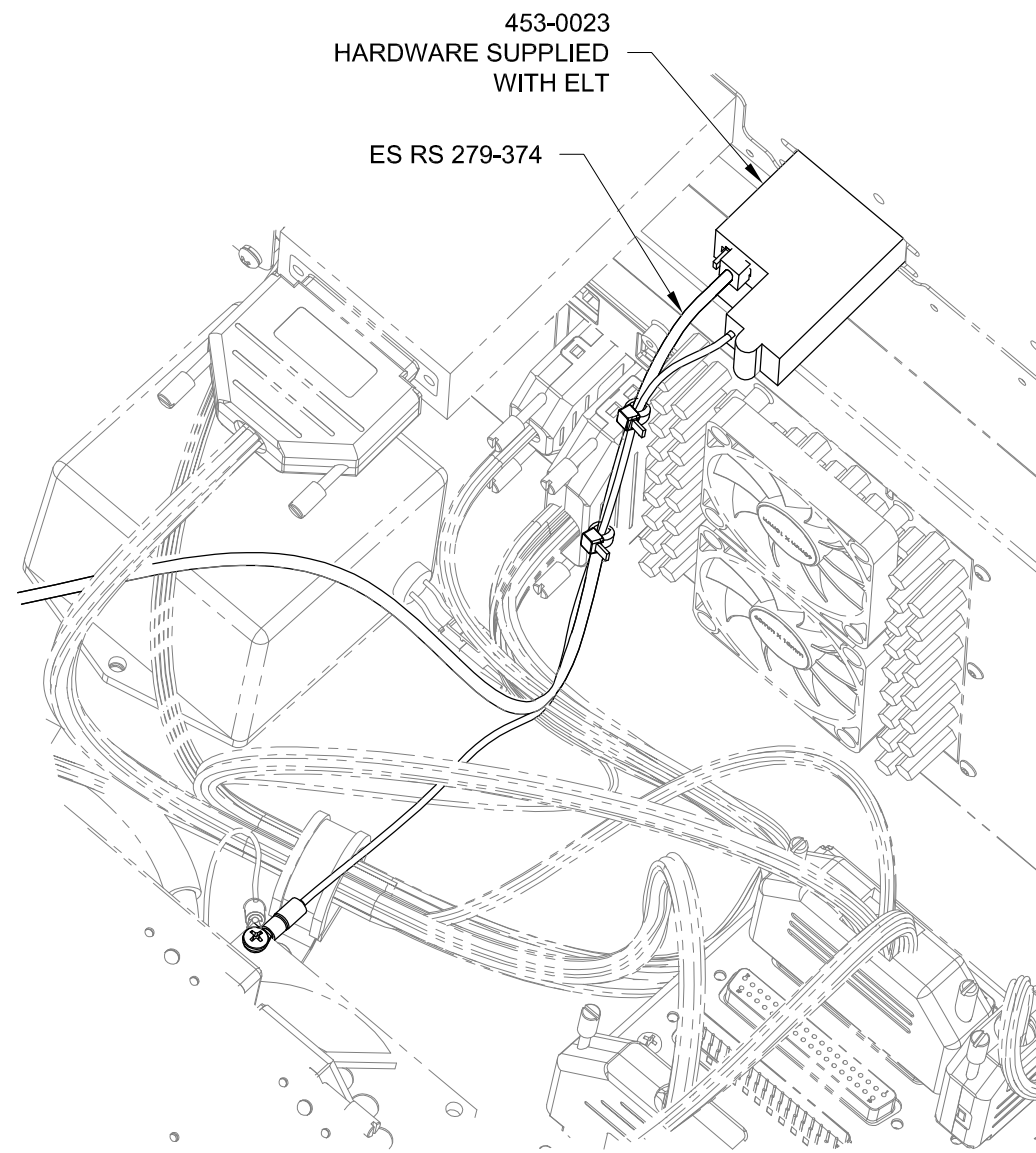


SECTION 42E: ARTEX ME406 ELT



NOTE: Do not install the labels supplied with the ELT. A new label will be supplied in Section 51

Step 1: Strip the end of the 453-0023 Ground Wire (BLK).

Step 2: Crimp a ring terminal on one end of the 453-0023 Ground Wire (BLK) as shown in Figure 1.

Step 3: Refer to the instructions supplied with the ELT for the installation of a battery in the 453-0023 Self Powered Cockpit Remote Switch.

Step 4: Attach the 453-0023 Self Powered Cockpit Remote Switch to the F-00028 SV-D1000 Inst Panel Left as shown in Figure 1, using the instructions supplied with the ELT.

Step 5: Attach the ES RS 279-374 Phone Cable to the back of the 453-0023 Self Powered Cockpit Remote Switch as shown in Figure 1.

Step 6: Remove the aft right screw holding the left ES CPU FAN to the F-1202B Panel Base. Place the ring terminal on the end of the 453-0023 Ground Wire (BLK) and the ground ring terminal for the fan over the shank of the screw, then reinstall the screw.

Step 7: Tie-wrap the 453-0023 Ground Wire (BLK) to the ES RS 279-374 Phone Cable in two places for strain relief as shown in Figure 1.

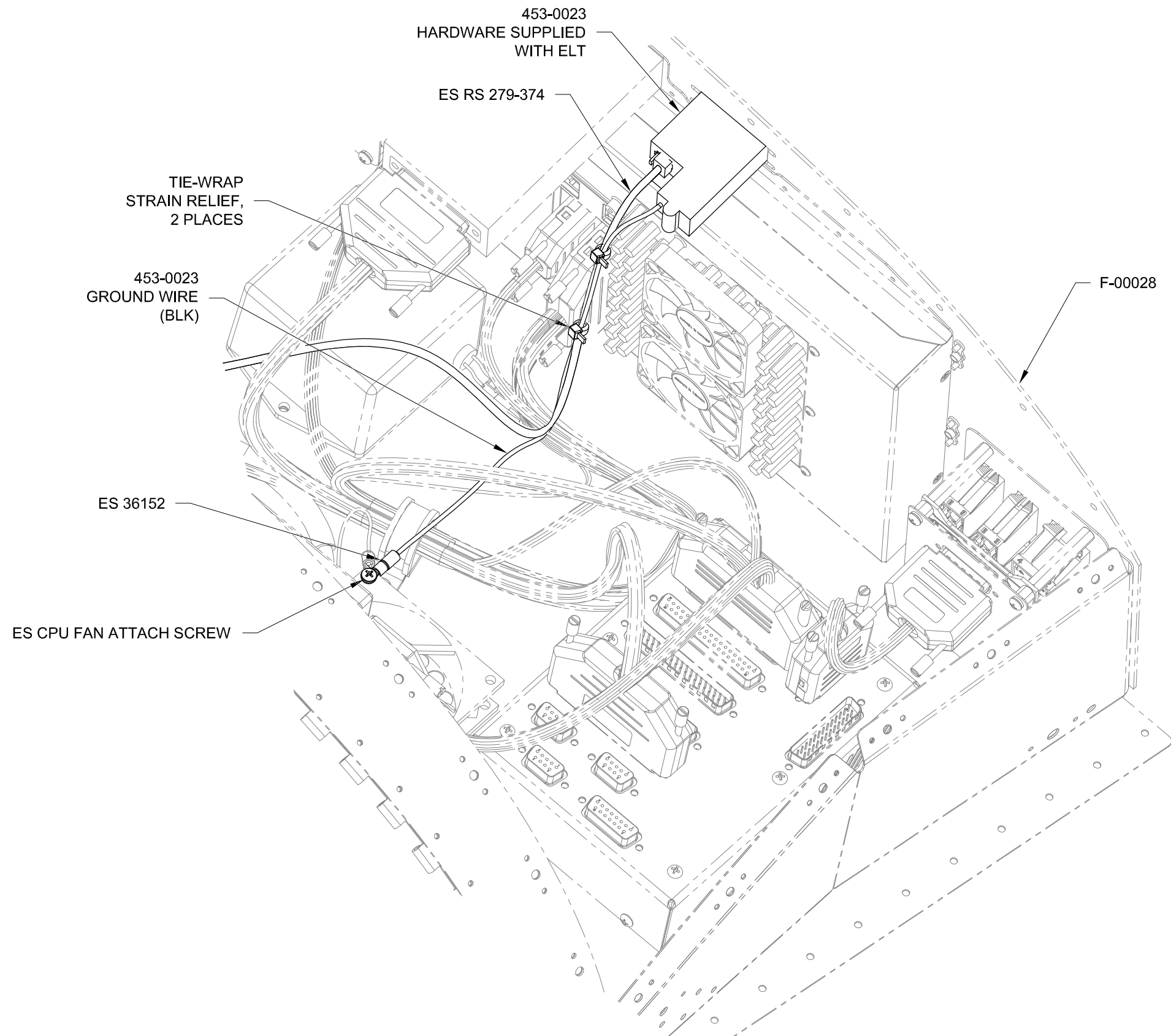
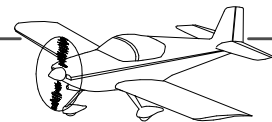


FIGURE 1: INSTALLING THE ELT REMOTE



Step 1: Final-Drill #19 the three rivet holes shown in the detail view in Figure 1. Use a nutplate (centered with a screw run into the nutplate backwards) in each #19 hole to match-drill #40 the nutplate attach pattern into the F-1205A Mid Fuse Brace and F-1205C Mid Fuse Brace Closeout. Deburr all the holes created in this step as well as possible.

Step 2: Rivet nutplates to the F-1205A Mid Fuse Brace and F-1205C Mid Fuse Brace Closeout as called out in the detail view in Figure 1.

Step 3: Attach the 110-773 Antenna to the hole in the F-1205G Elt Bracket as shown in Figure 1.

Step 4: Use screws called out in Figure 1 to attach the F-1205G Elt Bracket to the nutplates attached in Step 2.

Step 5: Attach the 611-6013-12 Coax Antenna Cable to the bottom of the 110-773 Antenna.

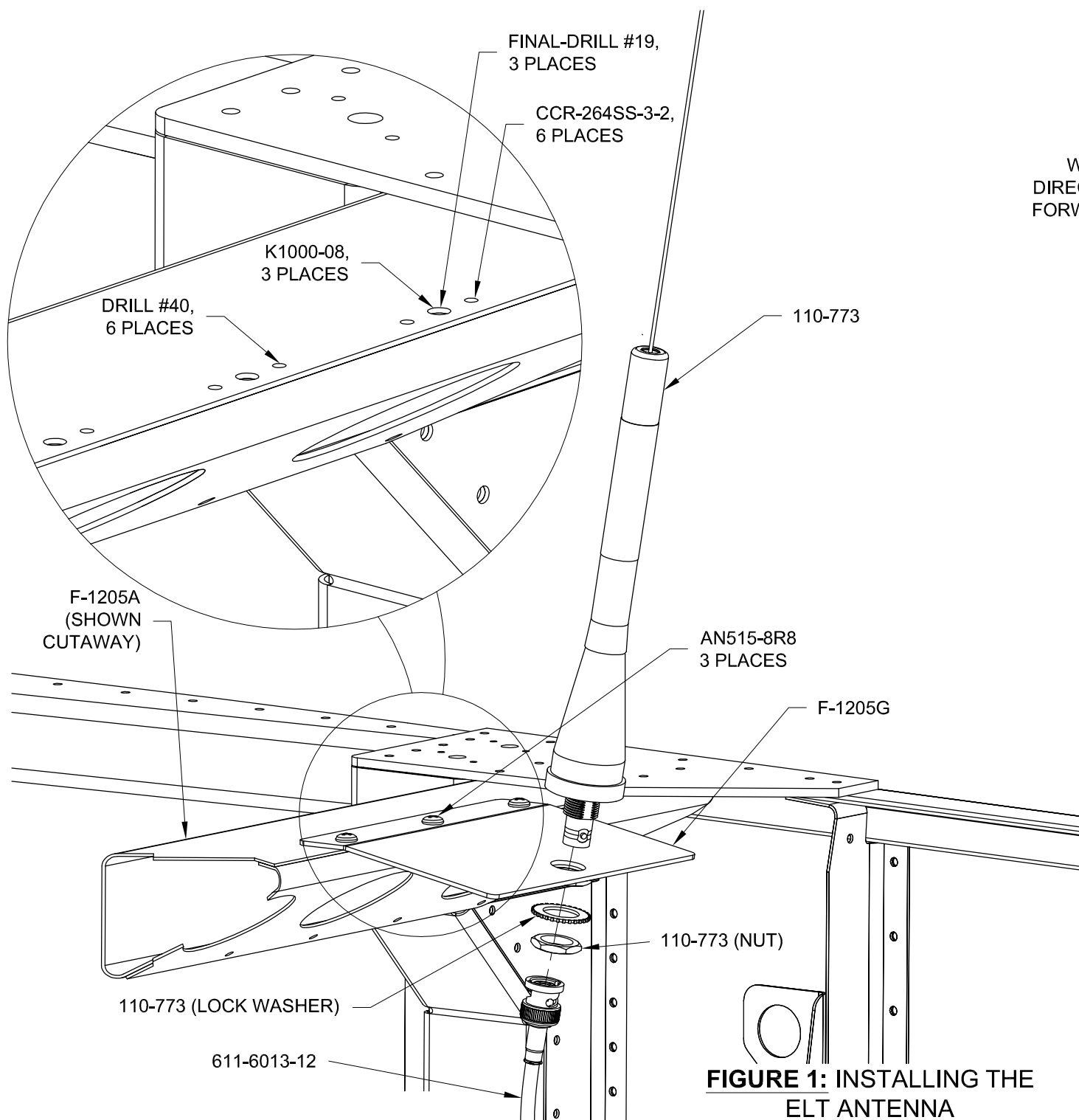


FIGURE 1: INSTALLING THE ELT ANTENNA

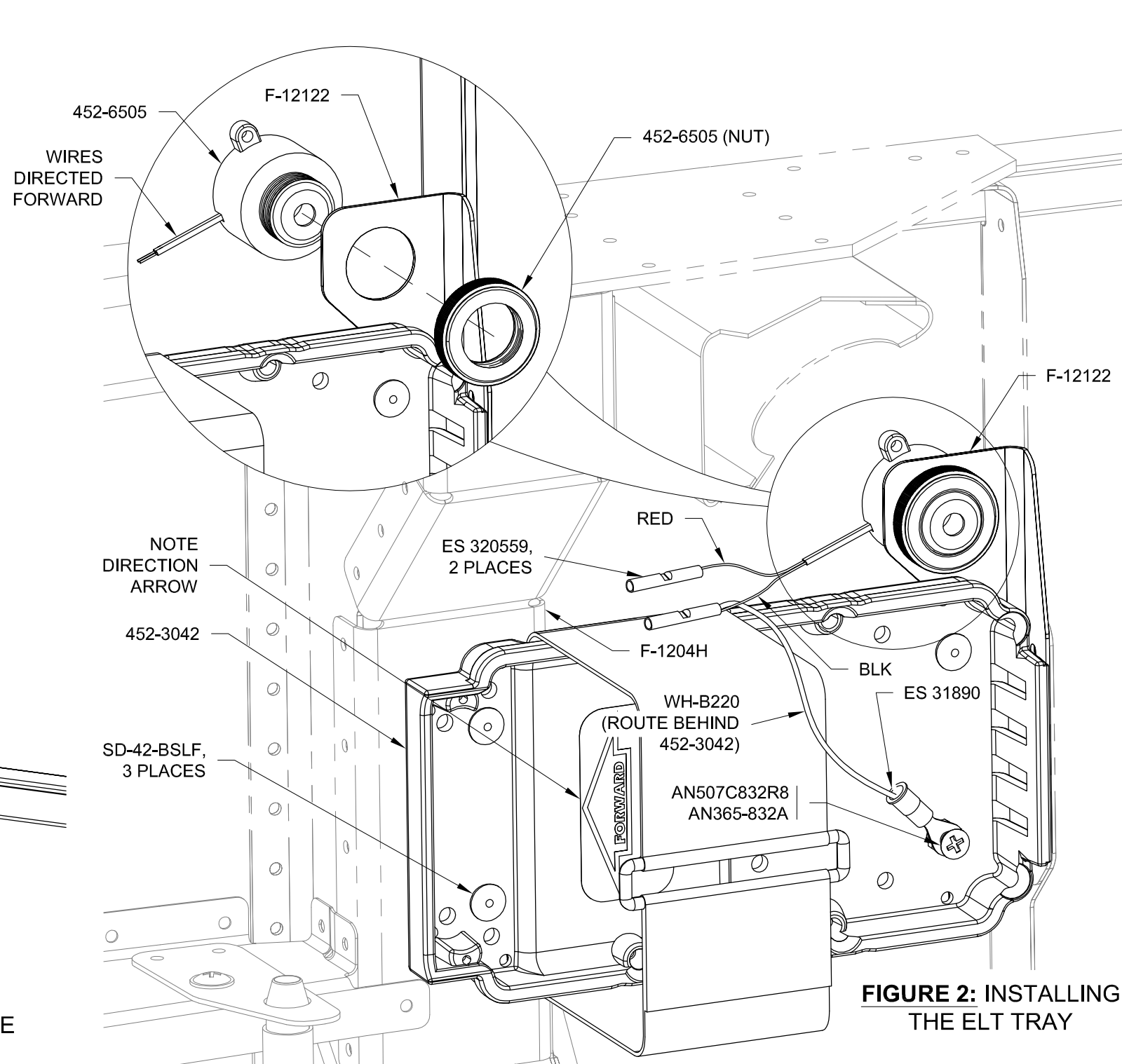


FIGURE 2: INSTALLING THE ELT TRAY

Step 1: Connect the red and black wires coming from the 453-1101 ELT Connector Adapter to the butt splices on the end of the red and black wires coming from the 452-6505 Buzzer.

Step 2 (No GPS Optional Module): Strip the end of the WH-F395 (GRY/PRP) GPS Data Out wire then crimp on a butt splice as shown in Figure 1. Coil and tie-wrap the wire to the wiring harness. See Section 5W Electrical Wiring Notes, Shielded Wires.

Step 2 (Optional GPS Module): The ME-183 module (unit may be purchased through the ELT manufacturer, see you installation manual for details) makes it possible to send a GPS signal from your ELT to give a more precise location.

Strip the end of the WH-F395 (GRY/PRP) GPS Data Out wire then crimp on a butt splice as shown in Figure 1. See Section 5W Electrical Wiring Notes, Shielded Wires.

Connect the blue wire coming from the 453-1101 connector adapter to the WH-F395 (GRY/PRP) wire using the butt splice called out in Figure 1.

Step 3: Connect the ES RS 279-374 Phone Cable to the 453-1101 ELT Connector Adapter.

Step 4: Insert the 453-6603 ELT into the 452-3042 Mounting Tray (see instructions provided with the AV ME 406) with the 452-6505 Buzzer power and ground wires, WH-F395 (GRY/PRP) GPS Data Out wire and ES RS 279-374 Phone Cable routed underneath the velcro strap as shown in Figure 1.

Step 5: Place the two rectangular blue gel sealant strips provided with the 453-6603 ELT on top of the male pins on the 453-1101 Connector Adapter. Connect the 453-1101 Connector Adapter to the 453-6603 ELT.

Step 6: Route the cable 611-6013-12 Coax Antenna Cable underneath the velcro strap on the 452-3042 Mounting Tray as shown in Figure 1. Attach the coax antenna cable to the 453-6603 ELT.

Step 7: Connect the ES RS 279-374 Phone Cable to the 453-1101 ELT Connector Adapter. See Figure 1.

Step 8: Complete the setup, testing and registration of the ELT as described in the manual with the ELT.

Step 9: Find the WH-P325 (WHT/RED) Elt Power Wire (not depicted in the figures on this page) and strip the end.

Crimp a ES 320559 splice to the end of the wire.

Coil the wire and tie-wrap it to the other wires going to the ELT.

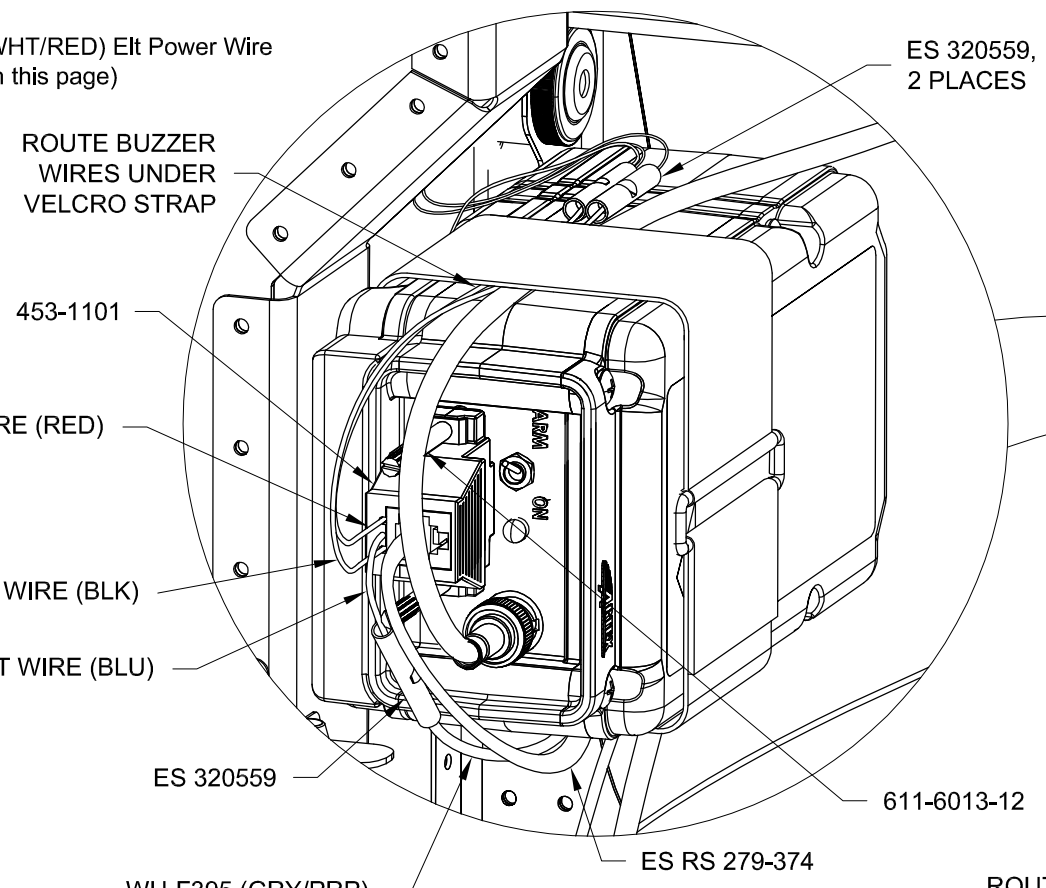
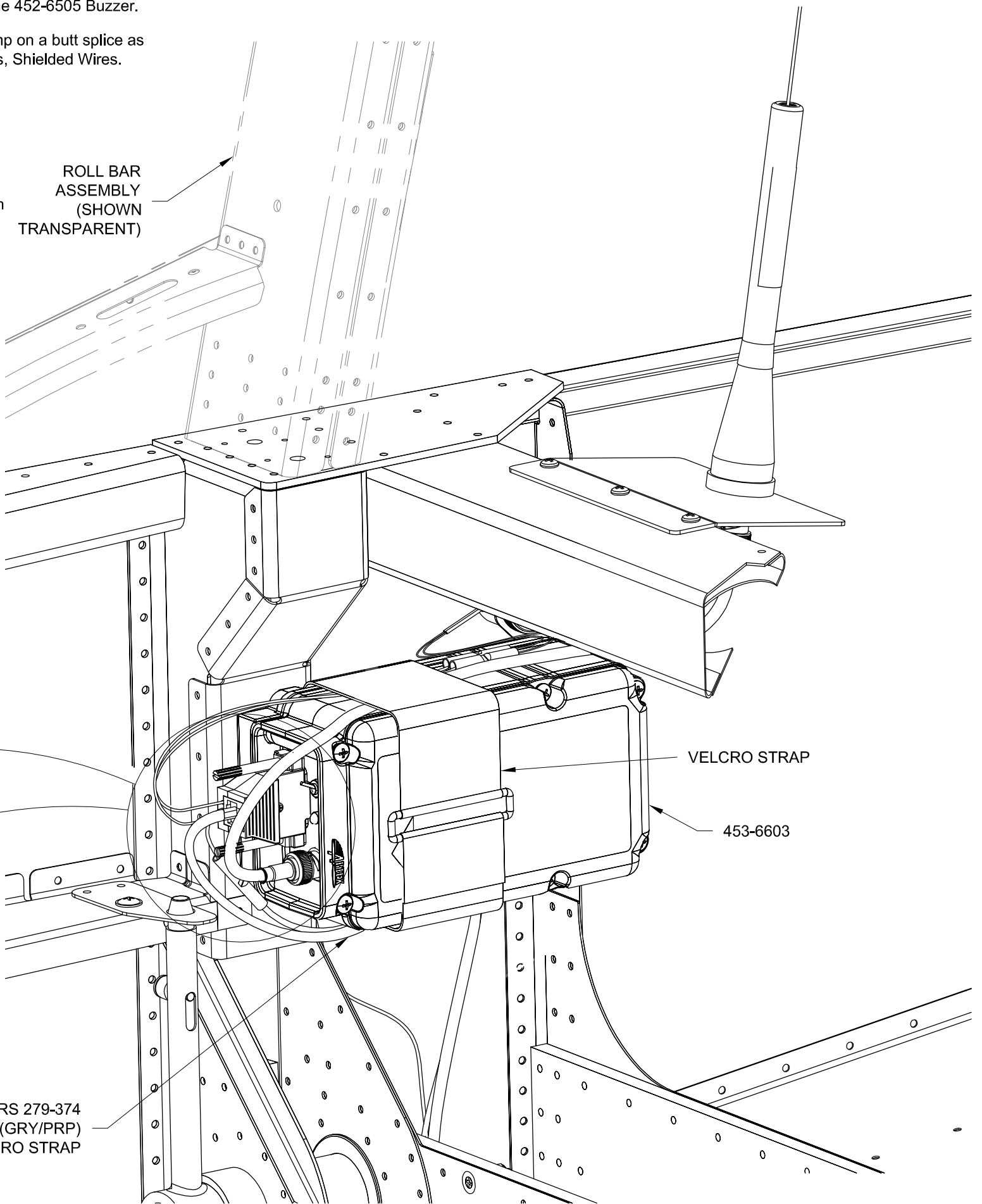


FIGURE 1: INSTALLING THE ELT

ROUTE ES RS 279-374 AND WH-F395 (GRY/PRP) UNDER VELCRO STRAP