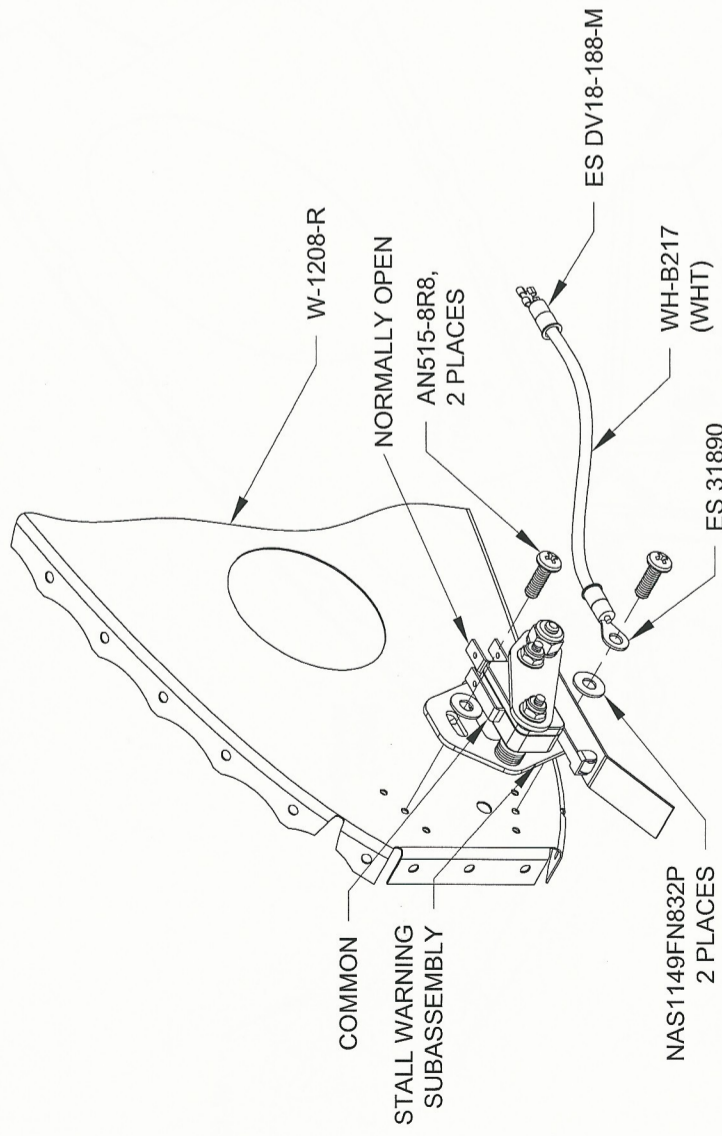




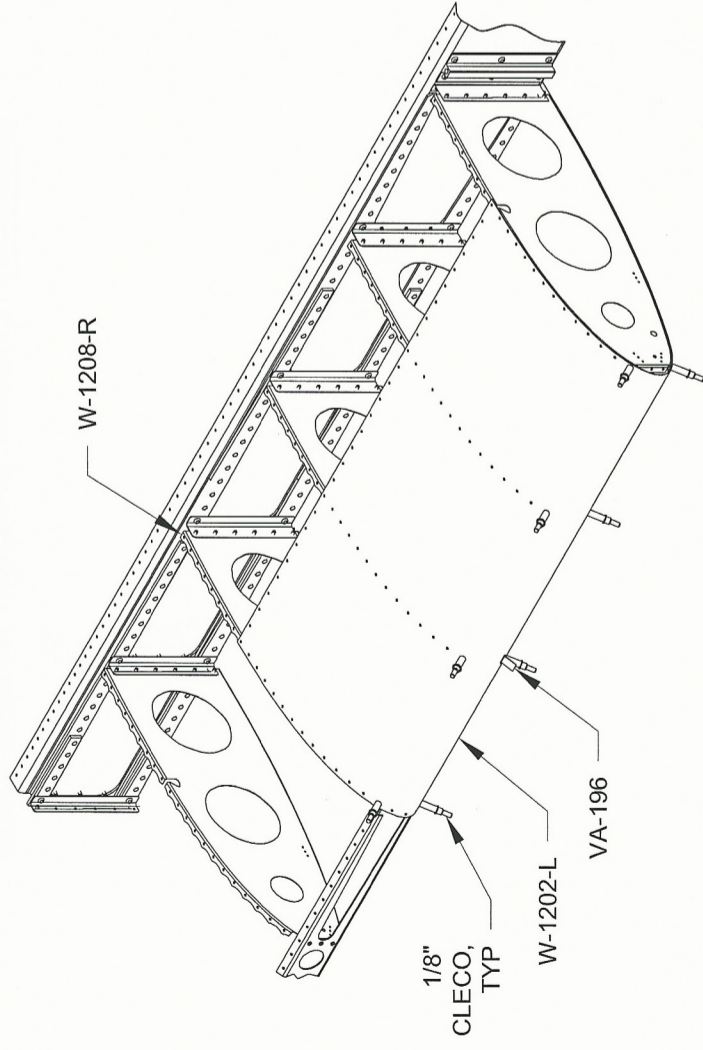
**Step 1:** Make the WH-B217 (WHT) Ground Wire by cutting #18 gauge wire 5 inches long and installing an ES DV18-188-M female spade connector on one end of the wire and an ES 31890 on the other. Double check that the connectors are properly installed!

**Step 2:** Install the Stall Warning Subassembly on the W-1208-R Nose Rib as shown in Figure 1. The upper screw goes through the slot in the VA-195A Mount Plate and allows the angle of the Stall Warning Subassembly to be adjusted. The lower screw passes through the ES 31890 terminal on the WH-B217 (WHT) Ground Wire as shown in Figure 1.



**FIGURE 1: INSTALLING THE STALL WARNING SUBASSEMBLY**

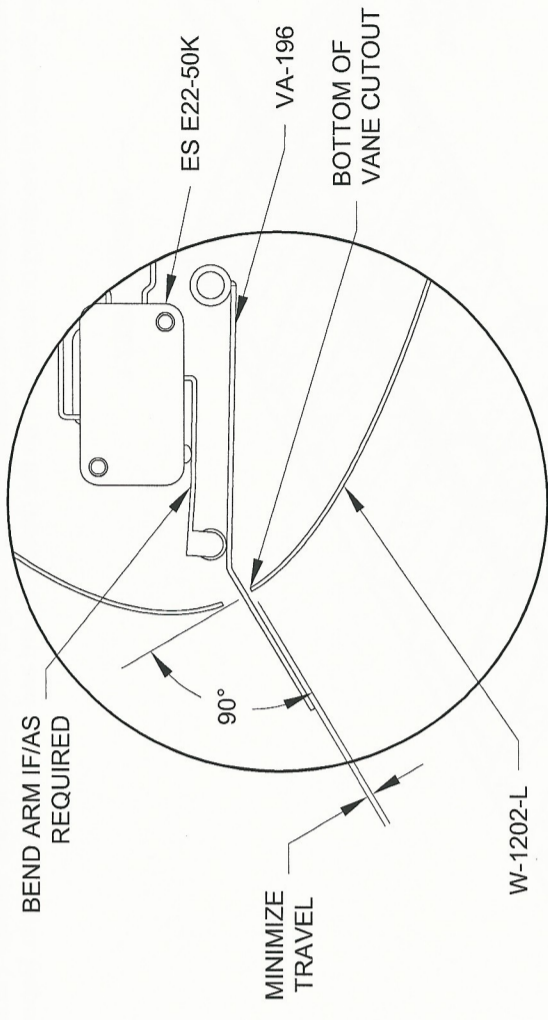
**Step 3:** Carefully position the W-1202-L Mid Wing Skin over the W-1208-R Nose Ribs and Stall Warning Subassembly and cleco as shown in Figure 2.



**FIGURE 2: ADJUSTING THE MICRO SWITCH**

**Step 4:** Double check that the VA-196 Stall Warning Vane in the at rest position is perpendicular to the surface of the wing skin. If the stall warning vane is not perpendicular, remove the Stall Warning Subassembly and bend the stall warning vane as required. See Figure 3.

Adjust the subassembly until the VA-196 Stall Warning Vane activates and deactivates the ES E22-50K Micro Switch with the minimum travel possible (it is permissible to bend the arm on the micro switch if/as required).

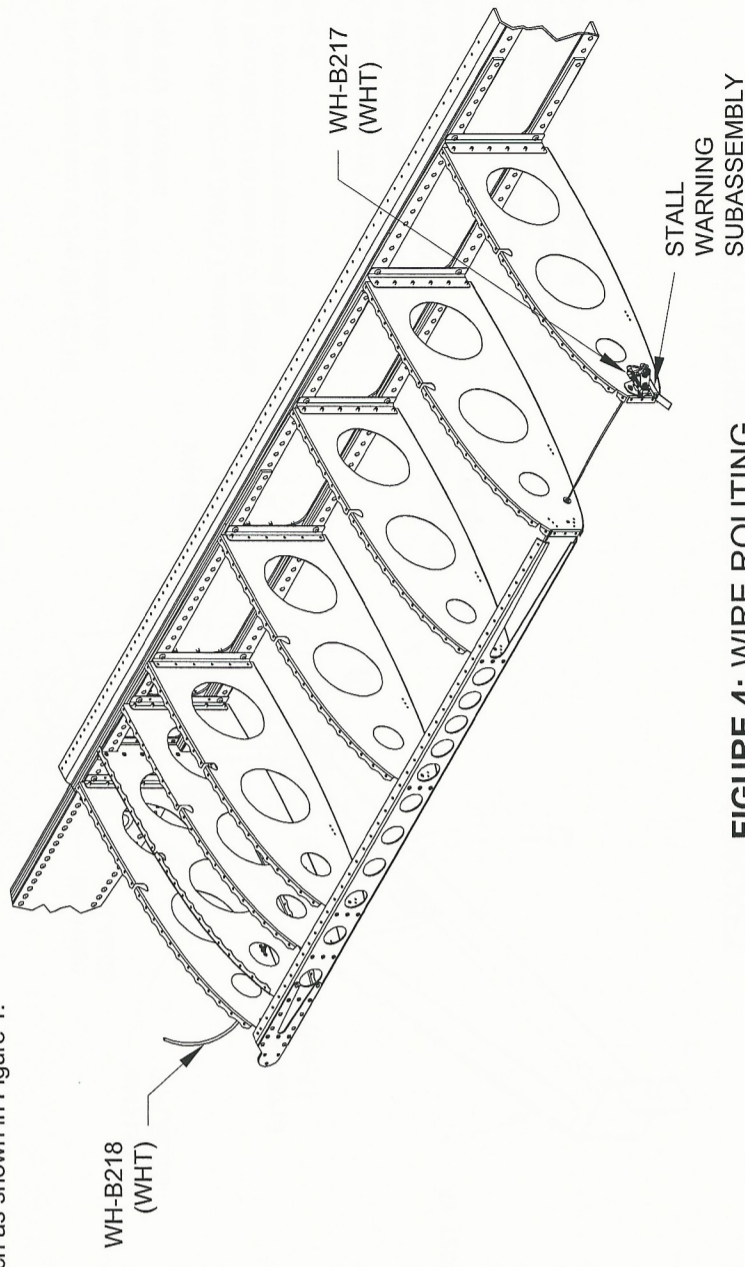


**FIGURE 3: ACTIVATING THE MICRO SWITCH**

**Step 5:** Remove the clecos and W-1202-L Mid Wing Skin.

**Step 6:** Make the WH-B218 (WHT) Terminal Wire by cutting #18 gauge wire 68 inches long. Install an ES DV18-188M female spade connector on one end of the wire. Double check that the spade connector is properly installed.

**Step 7:** Install the WH-B218 (WHT) Terminal Wire to the N.O. (normally open) terminal of the ES E22-50K Micro Switch as shown in Figure 1. Starting at the stall warning subassembly, route the terminal wire inboard through the snap bushing in each W-1208 Nose Rib as shown in Figure 4. Install the WH-B217 (WHT) Ground Wire to the COM. (common) terminal of the ES E22-50K Micro Switch as shown in Figure 1.



**FIGURE 4: WIRE ROUTING**