



Step 3: Flute the flanges of the A-1204-L & -R Outbd Nose Ribs and A-1210-L & -R Inbd Nose Ribs at the locations shown in Figures 3 and 4.

Flute the rib flanges so as to make the rib webs as straight as possible however it is not absolutely necessary for the ribs to be perfectly straight.

Step 1: Make the A-1207-L Actuation Bracket from AA6-125 x 1 1/2 x 2 x 10 as shown in Figure 1.

Make the A-1207-R Actuation Bracket which is the opposite of the A-1207-L Actuation Bracket.

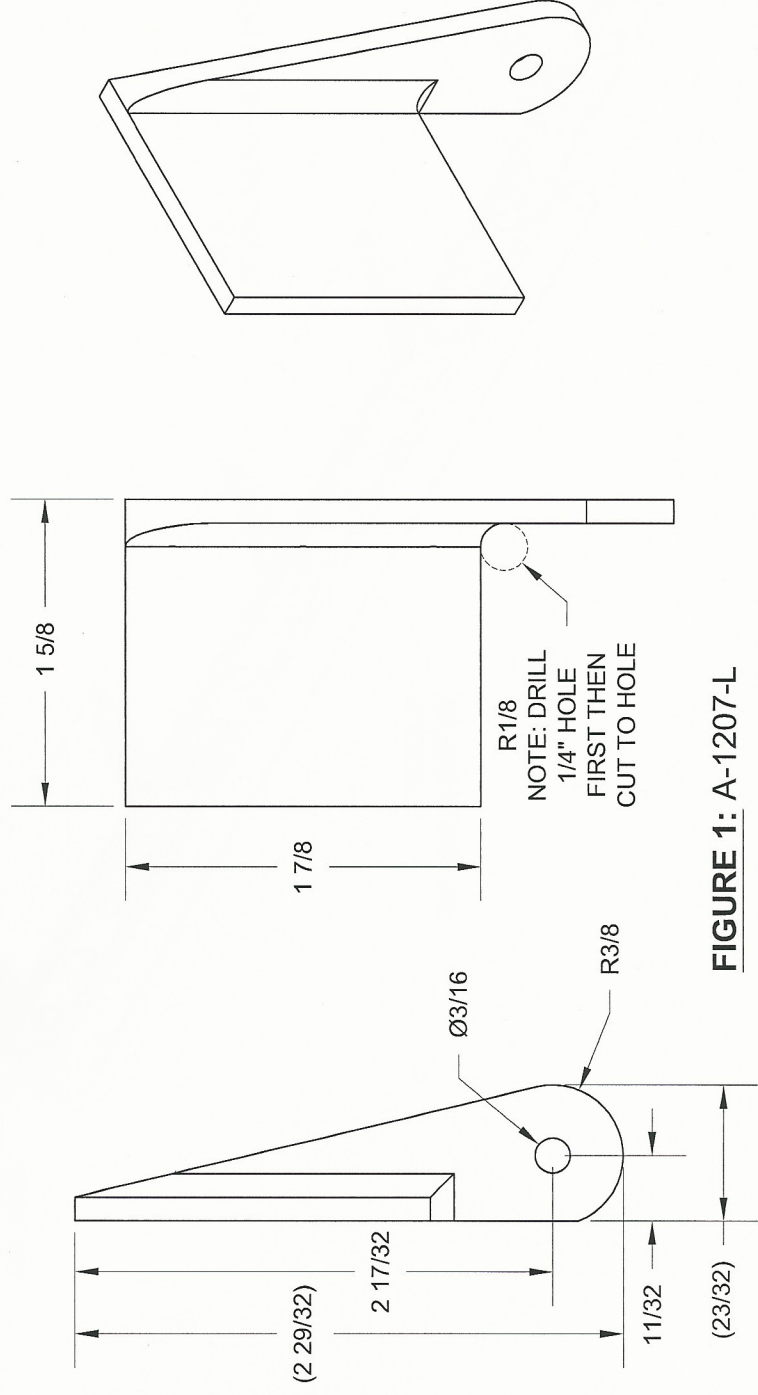


FIGURE 1: A-1207-L

Step 2: Make four A-1206 Pivot Brackets from AEX Tie Down as shown in Figure 2.

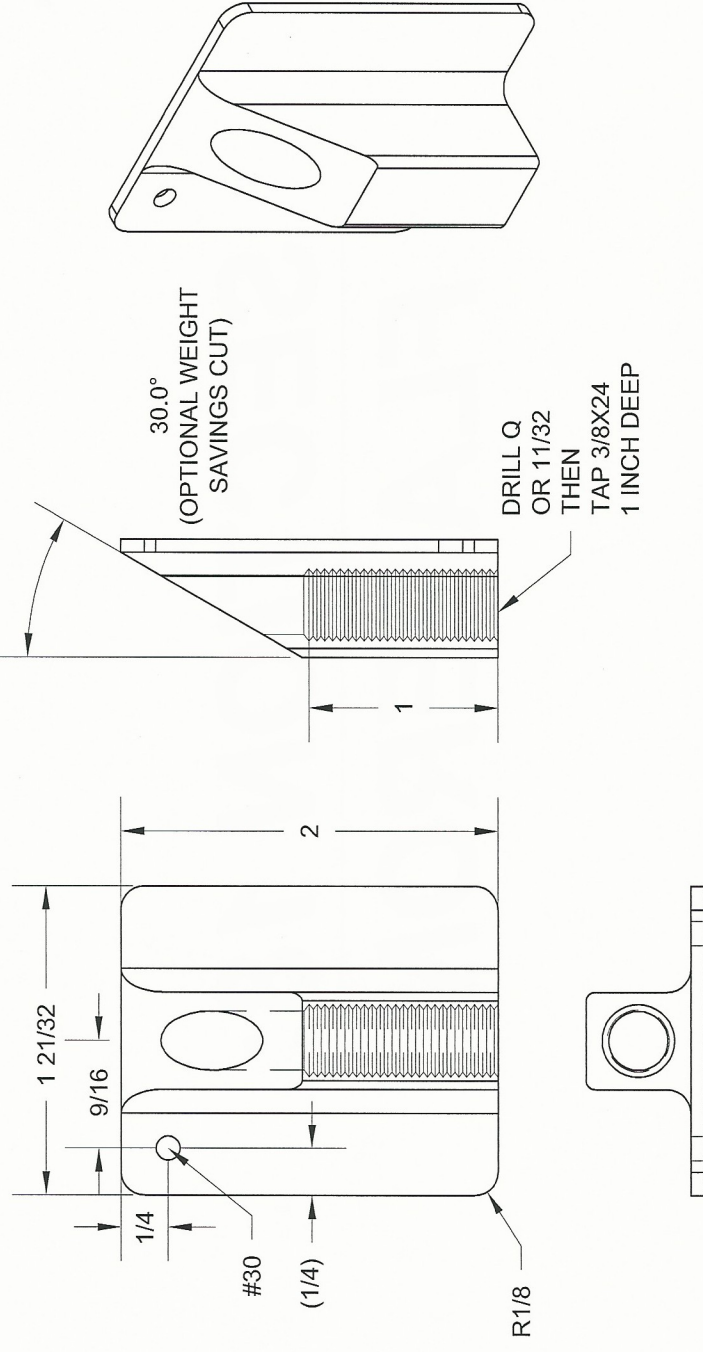


FIGURE 2: A-1206

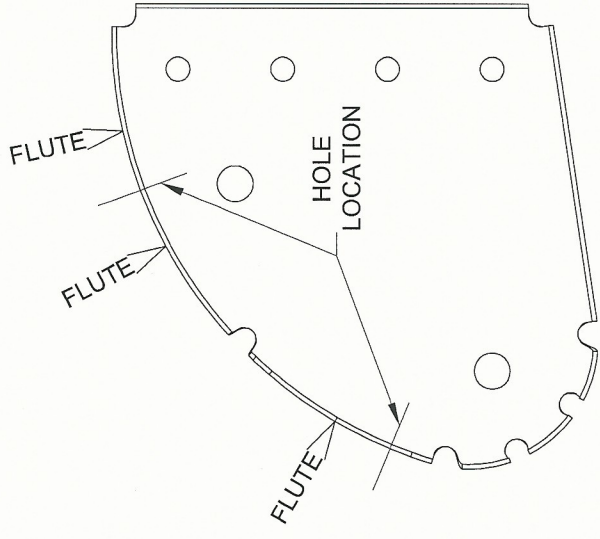


FIGURE 3: A-1204 FLUTING LOCATIONS

FIGURE 4: A-1210 FLUTING LOCATIONS

NOTE: The remainder of this section describes the assembly of the left flaperon. The right flaperon is a mirror of the left. For each step describing the assembly of the left, also complete the same operations for the right.