



Step 1: Cut apart the F-1086 Vent Bracket into two F-1086A and two F-1086B Vent Brackets as shown in Figure 1. Cut apart the F-1087 Vent Slide into two F-1087A and two F-1087B Vent Slides as shown in Figure 2.

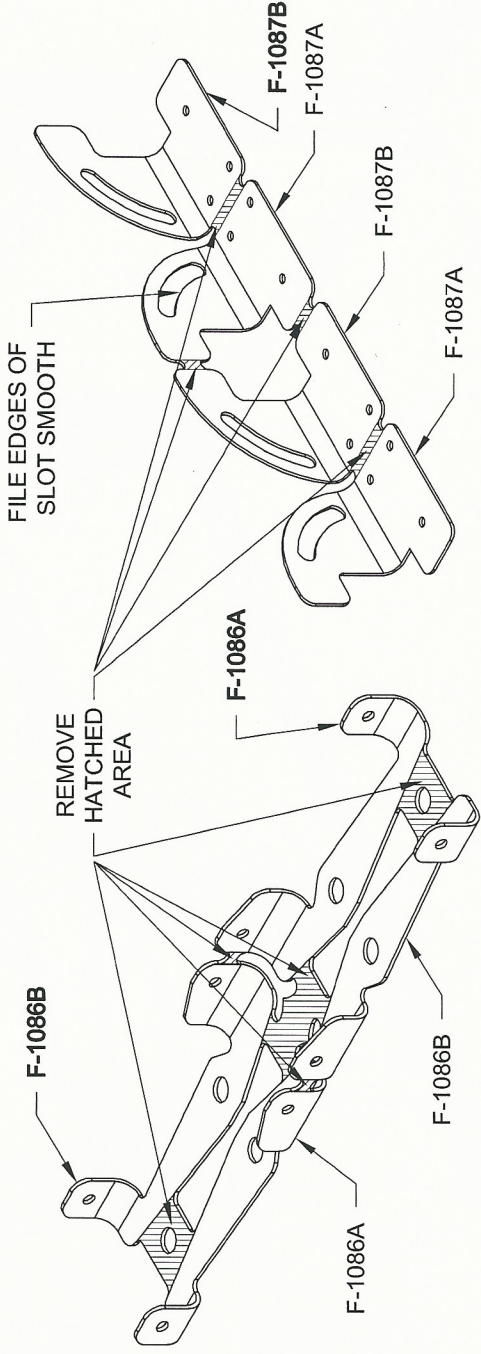


FIGURE 1: CUTTING APART THE VENT BRACKETS

FIGURE 2: CUTTING APART THE VENT SLIDES

Step 2: Cleco the F-1087A Vent Slide, F-1087B Vent Slide, F-1092 Vent Door Doubler and F-1093 Vent Door together as shown in Figure 3. Final-Drill #40 the holes common between these parts. This creates the Vent Door Subassembly. Repeat this step to create a second vent door subassembly.

Step 3: Machine countersink the holes in the F-1093 Vent Doors for flush rivets on the outboard side of the aircraft.

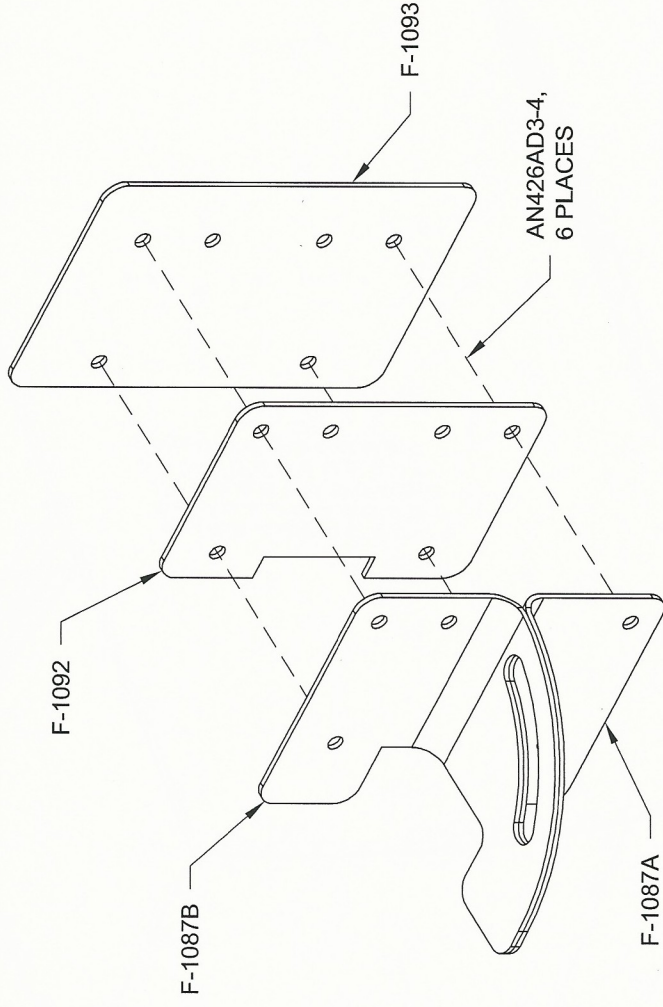


FIGURE 3: ASSEMBLING THE VENT DOOR

Step 4: File the edges of the slot smooth in the F-1087A and F-1087B Vent Slides. Check that an AN525-10R7 Screw smoothly slides along the entire length of the slot.

NOTE: A small block of wood is helpful to hold the tabs of the F-1086A and F-1086B Vent Brackets.

Step 5: Cleco the F-1086A and F-1086B Vent Brackets and the F-1096 Vent Doubler to the left F-1270 Fuselage Side Skin as shown in Figure 4. Final-Drill #30 the holes common between these parts. Repeat this step for the right side of the aircraft.

Step 6: Disassemble the F-1086A and F-1086B Vent Brackets and F-1096 Vent Doublers from the fuselage side skins. Disassemble the Vent Door Subassemblies. Deburr all parts.

Step 7: Rivet the F-1096 Vent Doubler and F-1086A and F-1086B Vent Brackets to the F-1270 Fuselage Side Skin as shown in Figure 4. Repeat this step for the right side of the aircraft.

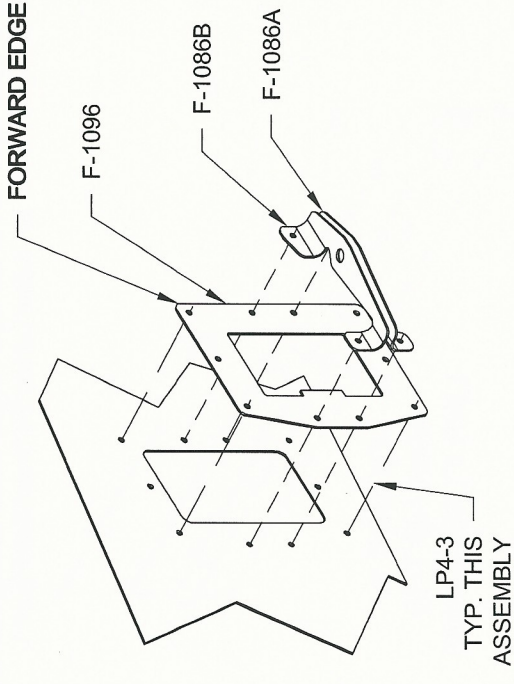


FIGURE 4: ASSEMBLING THE VENT DOUBLER AND BRACKETS

Step 8: Rivet the F-1087A Vent Slide, F-1087B Vent Slide, F-1092 Vent Door Doubler and F-1093 Vent Door together as shown in Figure 3. Repeat this step to create a second vent door subassembly.

Step 9: Insert the Vent Door Subassembly as shown in Figure 5. Install the hardware through the F-1086A and B Vent Brackets and the slot in the vent door subassembly as shown in Figure 5 (place a 5610-18-31 Nylon Washer in between the F-1086A and F-1086B Vent Brackets). Repeat this step for the right side of the aircraft.

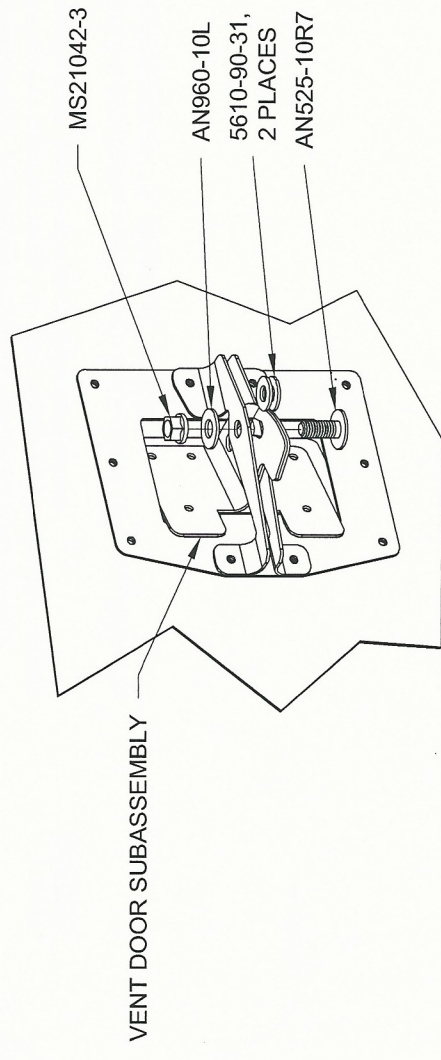


FIGURE 5: INSTALLING THE VENT DOOR SUBASSEMBLY