



NOTE: The F-1277A Aft Window may be final installed at a later time for better access to the fuselage during construction.

The F-1277A Aft Window must be sealed properly to prevent fuel from contacting cut or drilled edges. See Section 5S Fuel Tank Sealant and Section 5U Acrylic Canopy and Lexan Window Hints for specific cleaning instructions.

Step 1: Align the F-1277A Aft Window by installing every third or fourth screw around the perimeter.

Outside the fuselage mask the aft window using electrical tape offset from the edge of the F-1277-L & -R Fwd Turtle Deck Skins per the dimension given in Figure 5. Add tape along the edge of the turtle deck skins with cutouts at screw locations.

Inside the fuselage add electrical tape to the fwd turtle deck skins following the lower edge of the aft window. See Figure 4.

Install the two screws common to the roll bar and aft window specified in Figure 1.

Cover the remaining exposed skin, window and baggage area as required for easier cleanup after sealing the aft window to the fuselage.

Step 2: Make a popsicle tool as shown in Figure 6.

Add fuel tank sealant to a sealed plastic bag then cut a small portion from the corner from the bag for dispensing.

Press the F-1277A Aft Window in then squeeze an 1/8 inch bead of fuel tank sealant between the aft window and the F-1277-L & -R Fwd Turtle Deck Skins. Where this is difficult insert a popsicle stick to create a temporary gap.

Use the hardware called out in Figure 2 to install the aft window to the turtle deck skins. Spin the screws to be used on the right side in fuel tank sealant.

Use the radiused corner of the popsicle stick tool to fillet the sealant that extrudes out between the turtle deck skins and the aft window. When satisfied with the appearance remove the tape as soon as possible before the sealant sets up leaving a crisp edge.

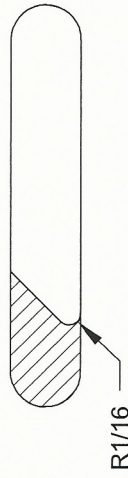


FIGURE 6: POPSICLE STICK TOOL

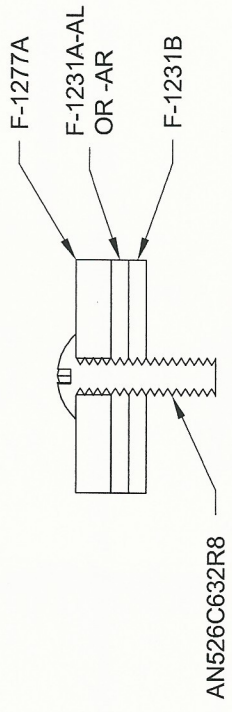


FIGURE 3: WINDOW TO ROLL BAR

LEAVE THESE TWO SCREWS

SEE FIGURE 4

ROLL BAR

SEE FIGURE 5

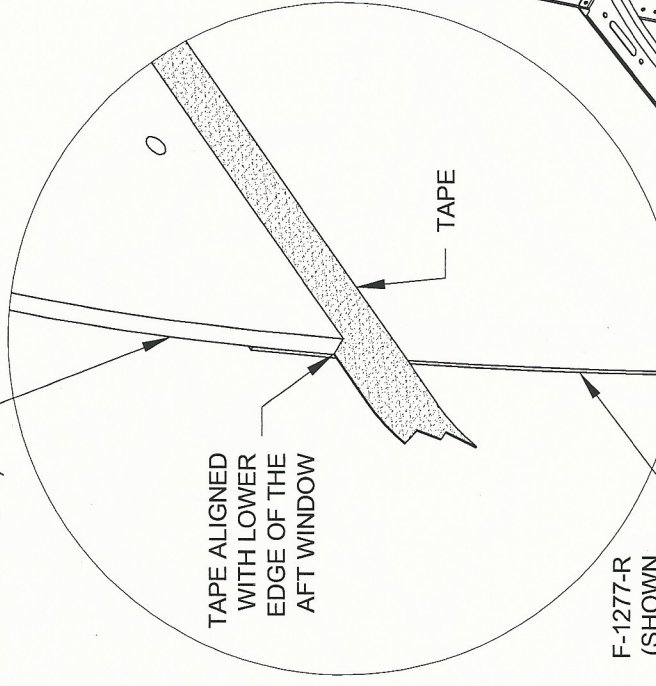


FIGURE 4: INSIDE MASKING

F-1277-R (SHOWN CUTAWAY FOR CLARITY)

F-1277A (SHOWN CUTAWAY FOR CLARITY)

1/16

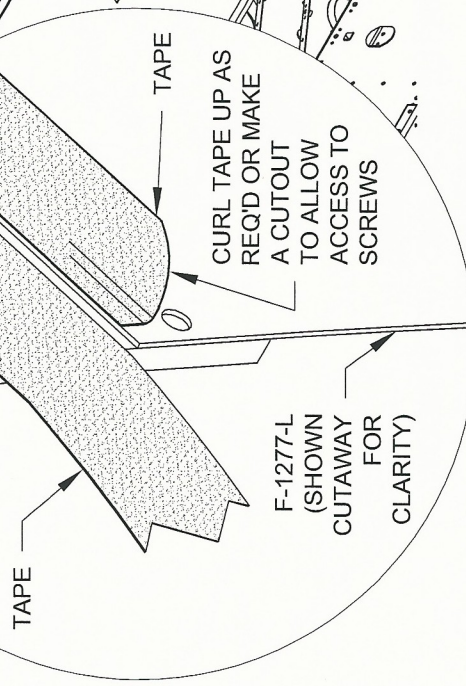


FIGURE 5: OUTSIDE MASKING

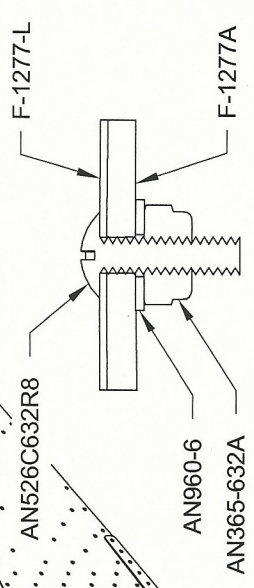


FIGURE 2: WINDOW TO SKIN

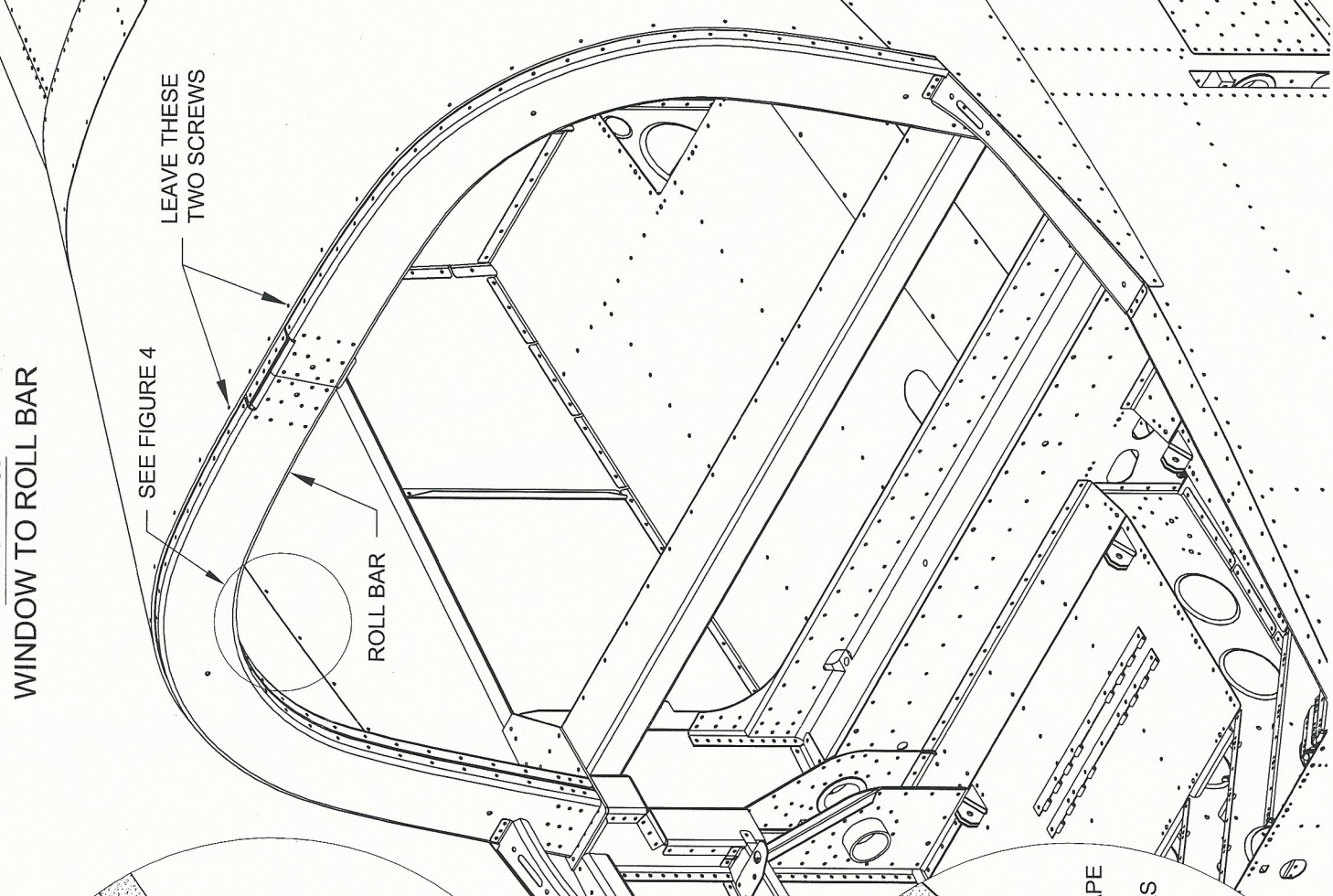


FIGURE 1: WINDOW INSTALLATION