

Step 1: Split the F-1235A Inbd Rudder Pedal Block and the two F-1235B Outbd Rudder Pedal Blocks as shown in Figure 1. Mark the split parts so that they remain together and so that they can be assembled in their original, pre-split orientation.

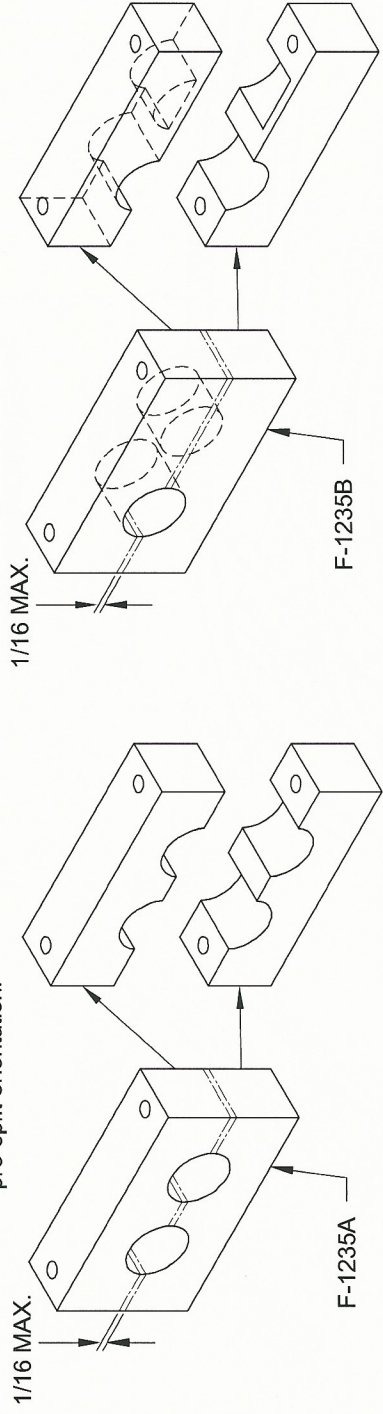


FIGURE 1: SPLITTING THE INBD AND OUTBD RUDDER PEDAL BLOCKS

Step 2: Clamp the WD-1206 Rudder Pedals using the F-1235A & B Rudder Pedal Blocks as shown in Figure 2. Be sure the rudder pedals are oriented as shown in the figure (long end and short end together), and place the heads of the bolts on the bottom so that the clamped assembly will lay flat on the work surface.

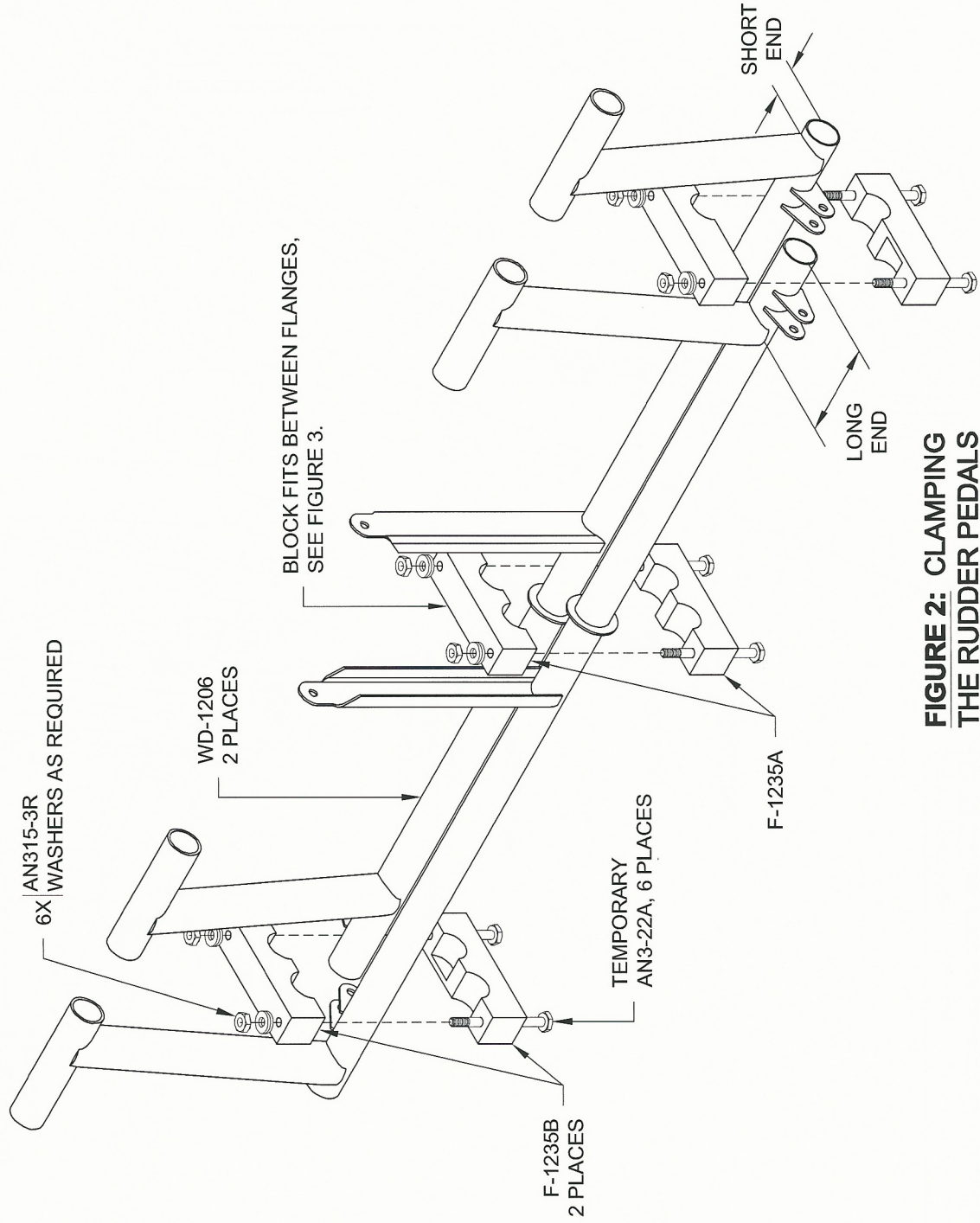


FIGURE 2: CLAMPING THE RUDDER PEDALS

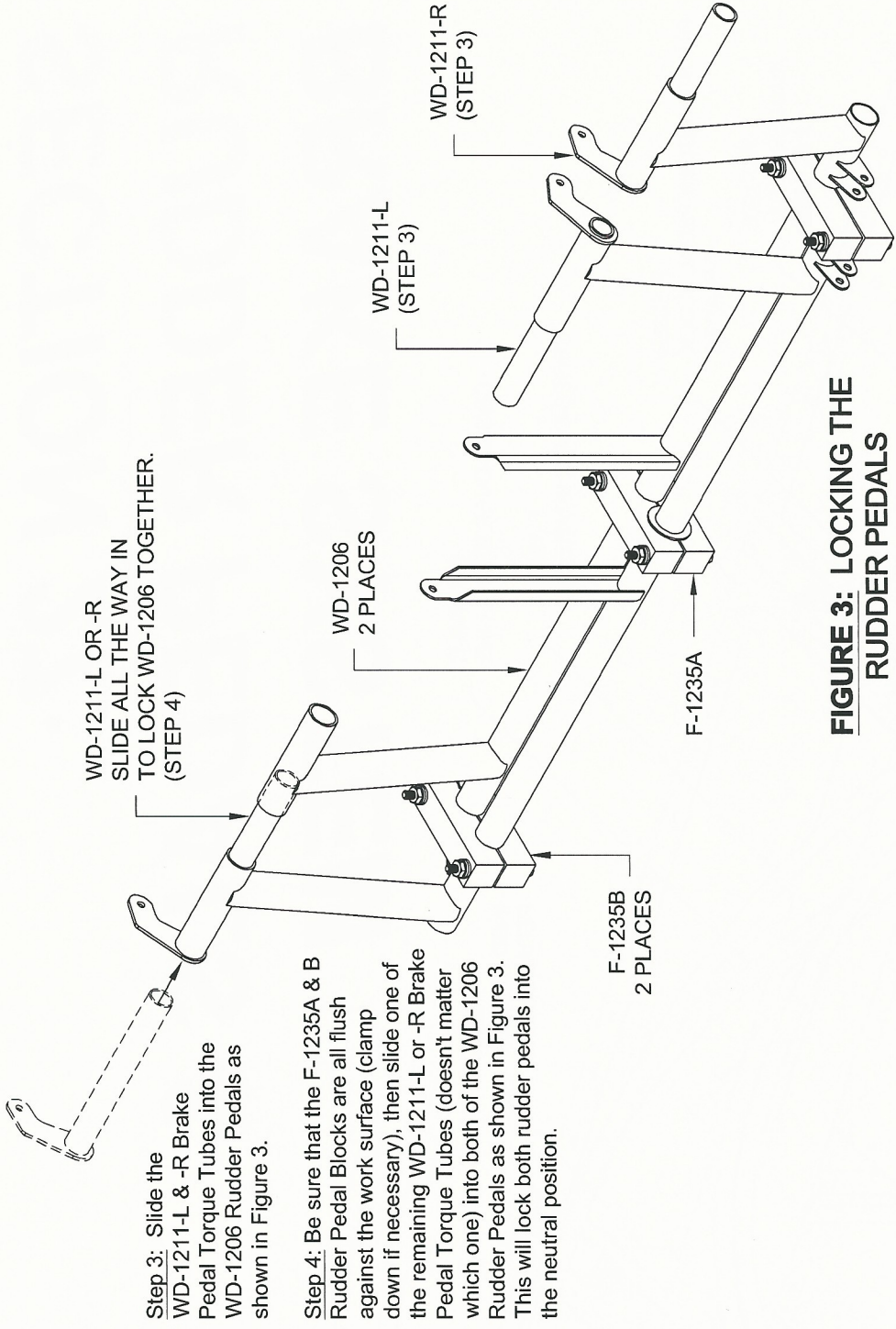


FIGURE 3: LOCKING THE RUDDER PEDALS

Step 3: Slide the WD-1211-L & -R Brake Pedal Torque Tubes into the WD-1206 Rudder Pedals as shown in Figure 3.

Step 4: Be sure that the F-1235A & B Rudder Pedal Blocks are all flush against the work surface (clamp down if necessary), then slide one of the remaining WD-1211-L or -R Brake Pedal Torque Tubes (doesn't matter which one) into both of the WD-1206 Rudder Pedals as shown in Figure 3. This will lock both rudder pedals into the neutral position.

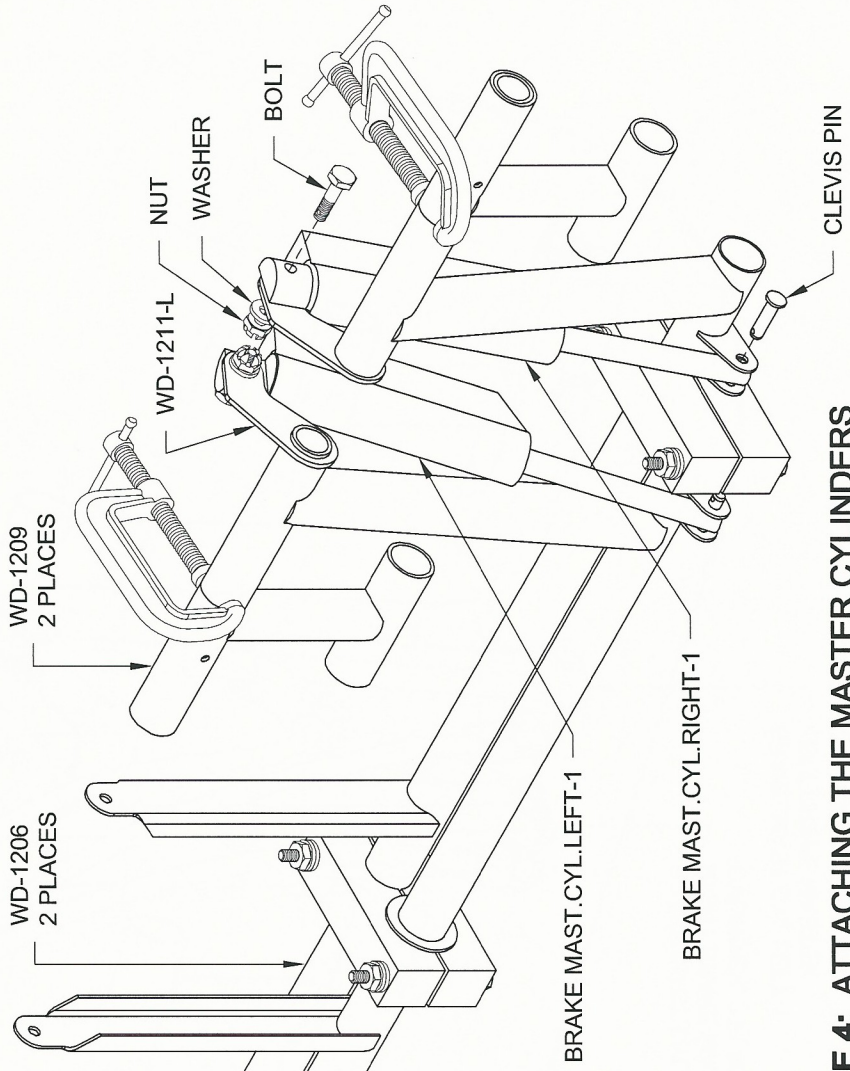


FIGURE 4: ATTACHING THE MASTER CYLINDERS

Step 5: Temporarily attach the BRAKE MAST. CYL. RIGHT-1 & LEFT-1 Right and Left Brake Master Cylinders to the WD-1206 Rudder Pedals and WD-1211-R & -L Brake Pedal Torque Tubes as shown in Figure 4. The hardware shown in Figure 4 is called out on Page 27-03, Figure 3.

Step 6: Slide the WD-1209 Brake Pedals over the WD-1211-R & -L Brake Pedal Torque Tubes and against the WD-1206 Brake Pedals as shown in Figure 4. Use a square to make sure the brake pedals are vertical (or perpendicular to the work surface), then clamp the brake pedals to the rudder pedals as shown.