

Step 1: Route the spade end (not the fork end) of the F-1239 Rudder Cables along with the 1 1/2 inch long plastic sleeve on both rudder cables, forward through the SB750-10 snap bushings in the F-1207B, F-1206A, and F-1204D & A Bulkheads (see Page 21-14, Figure 3 and Page 21-19, Figure 3). Leave the plastic sleeves at the location shown in Figure 1, then continue routing the cable ends through the two Ø9/16 holes in the F-1203A Bulkhead and the two upper SB750-10 snap bushings in the F-1202F Bulkhead.

Step 2: Using the hardware shown in Figure 1, secure the plastic sleeve on both F-1239 Rudder Cables to the three Ø.191 holes in the center F-1215 Seat Ribs (be sure the MS21919 cushion clamps are oriented as shown). The plastic sleeves are to extend through the Ø9/16 holes in the F-1203A Bulkhead and forward of the bulkhead by approximately 3/8 of an inch.

1 1/2 INCH PLASTIC SLEEVE ON F-1239 RUDDER CABLE, 2 PLACES

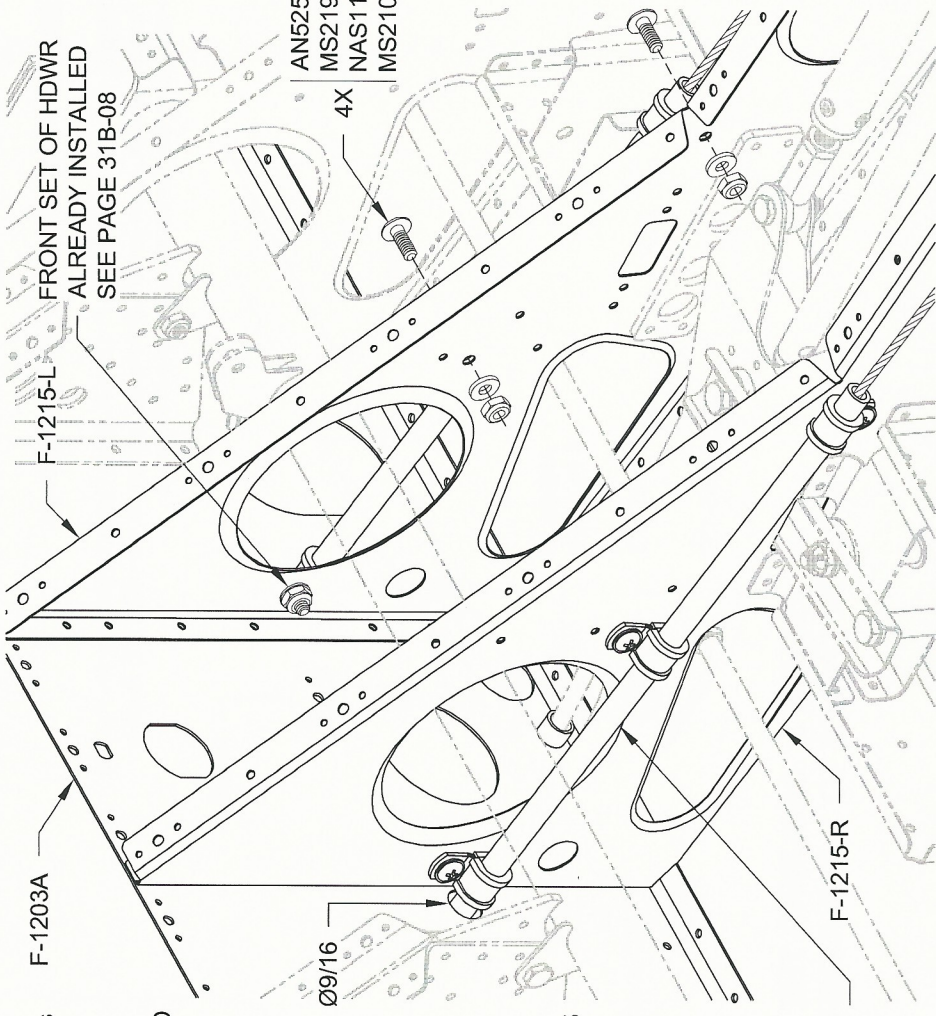


FIGURE 1: SECURING THE RUDDER CABLE PLASTIC SLEEVE

Step 3: Drill a #40 hole approximately 3/16 of an inch from the aft end of the 10 inch long plastic sleeve that is on both F-1239 Rudder Cables as shown in Figure 2.

Step 4: Pull the 10 inch long plastic sleeves over the shaft of the fork ends of the F-1239 Rudder Cables and safety wire them to the fork ends as shown in Figure 2.

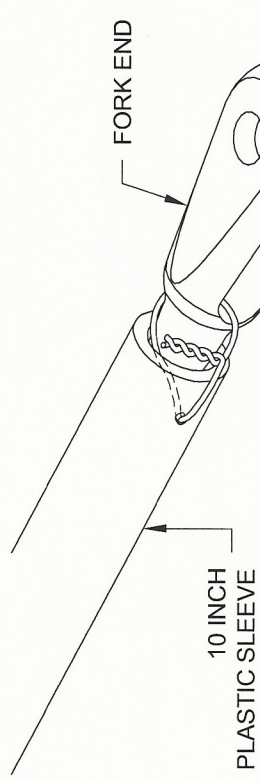


FIGURE 2: SAFETY WIRING THE PLASTIC SLEEVES

Step 5: Use the string that was routed through the tailcone in Section 10 to pull the F-1239 Rudder Cables through the snap bushing in both F-1238 Snap Bushing Brackets and out the F-1211 Bulkhead.

Step 6: Temporarily attach one F-1258 Rudder Cable Link to the fork end of both F-1239 Rudder Cables as shown in Figure 3.

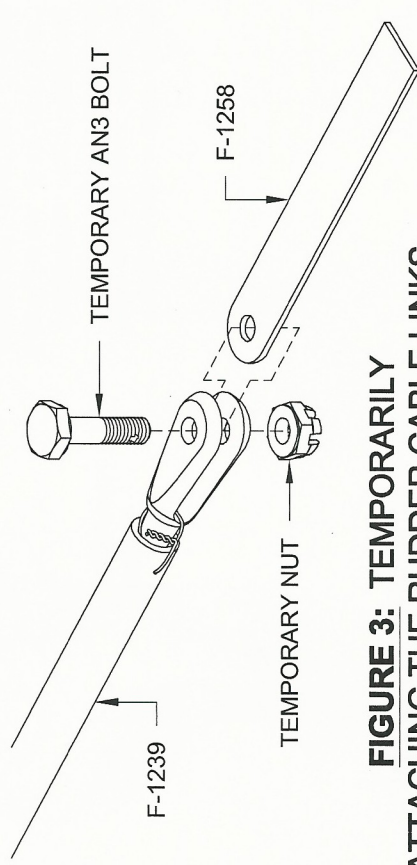


FIGURE 3: TEMPORARILY ATTACHING THE RUDDER CABLE LINKS

Step 7: Temporarily attach the spade ends of the F-1239 Rudder Cables to the horns on the WD-1206 Rudder Pedals as shown in Figure 4. (Secure the aft end of the rudder cables with wire or string so that they are not pulled back through the F-1211 Bulkhead.)

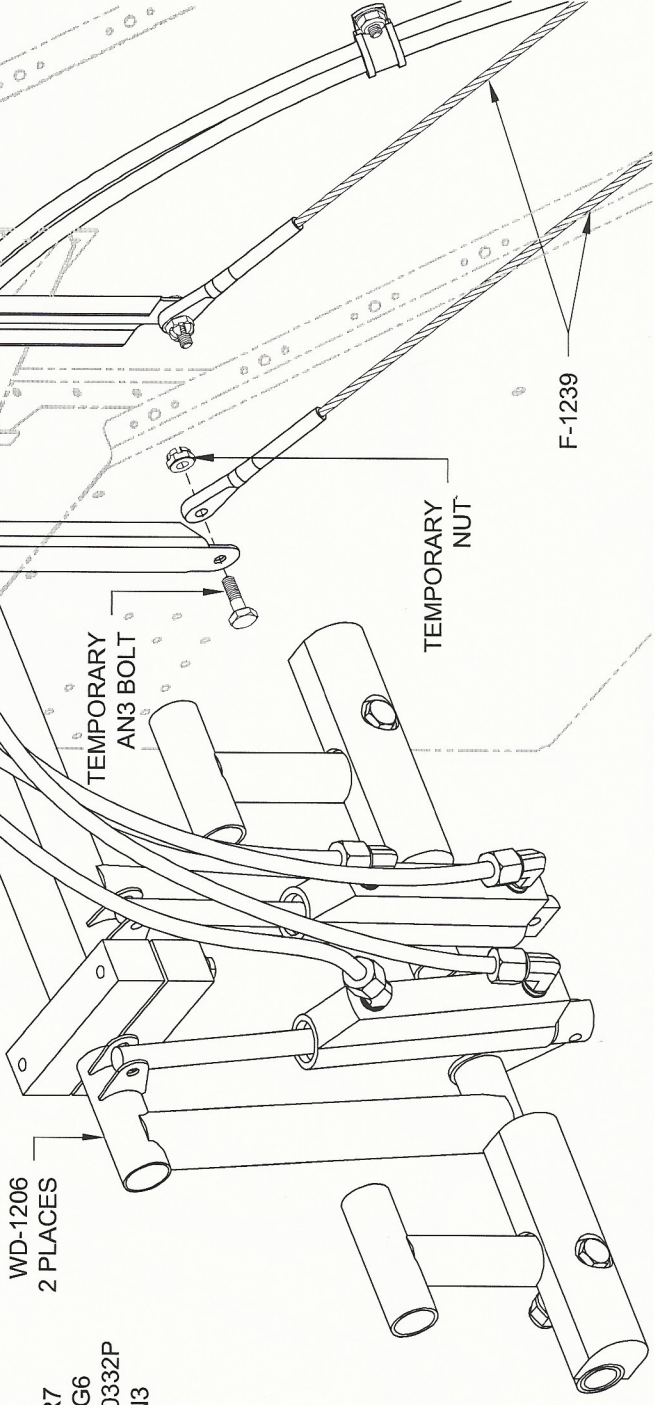


FIGURE 4: ATTACHING RUDDER CABLES TO RUDDER PEDALS

Step 8: Using the wood from the crating that the kit was shipped in, cut and nail together the Rudder Pedal Rigging Stop as shown in Figure 5.

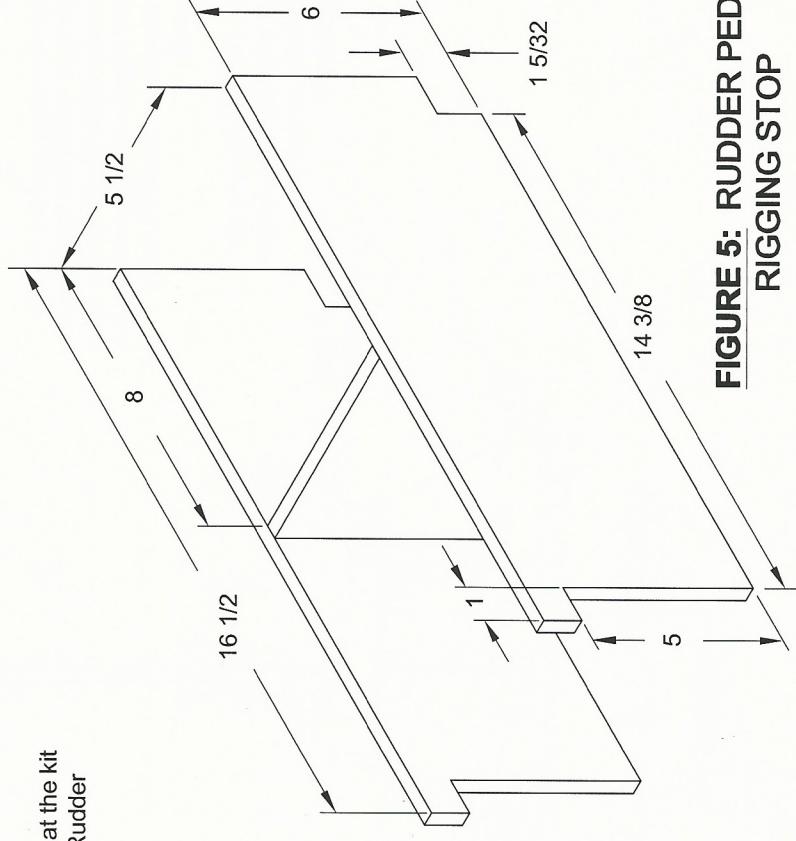


FIGURE 5: RUDDER PEDAL RIGGING STOP