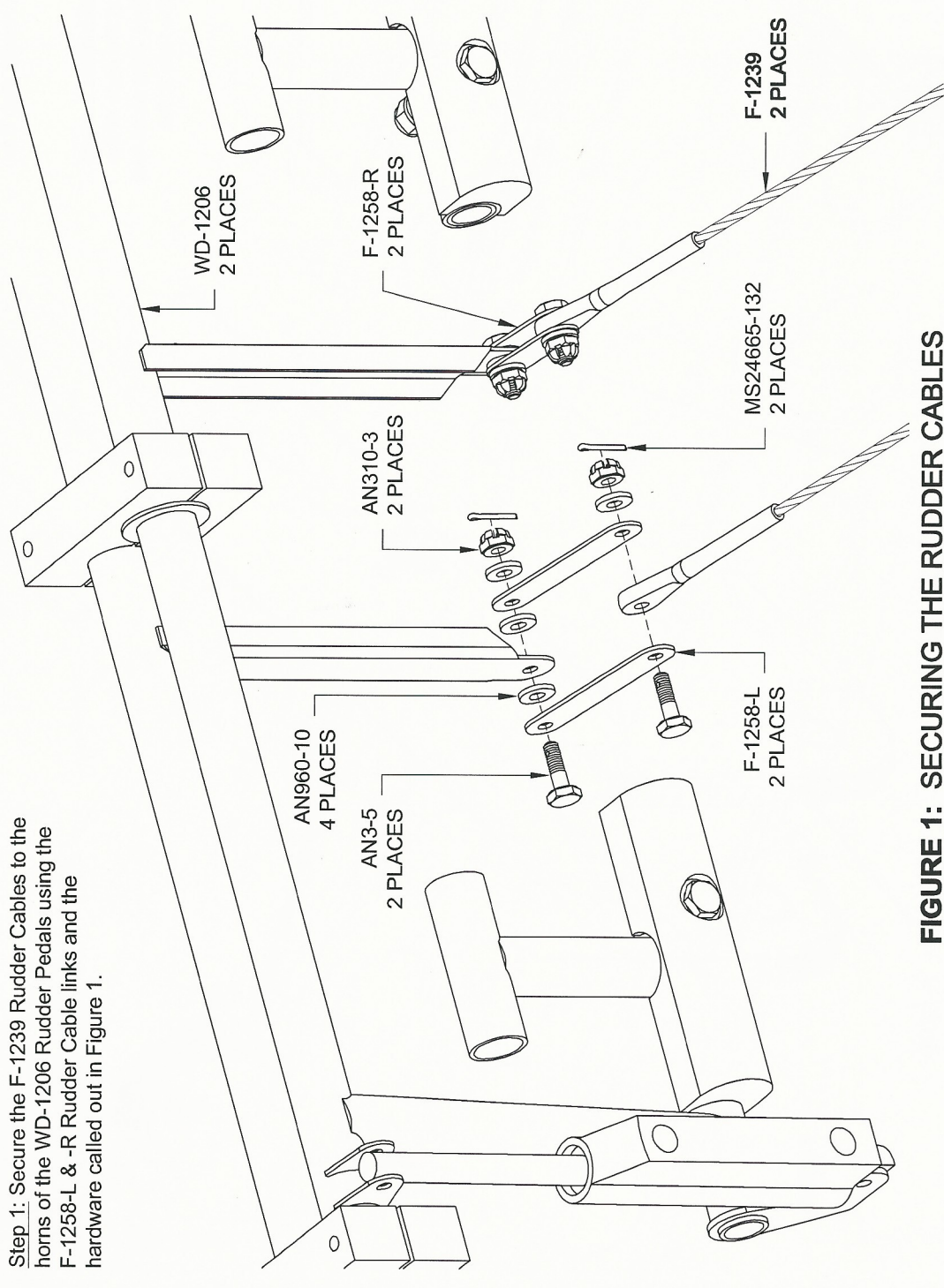
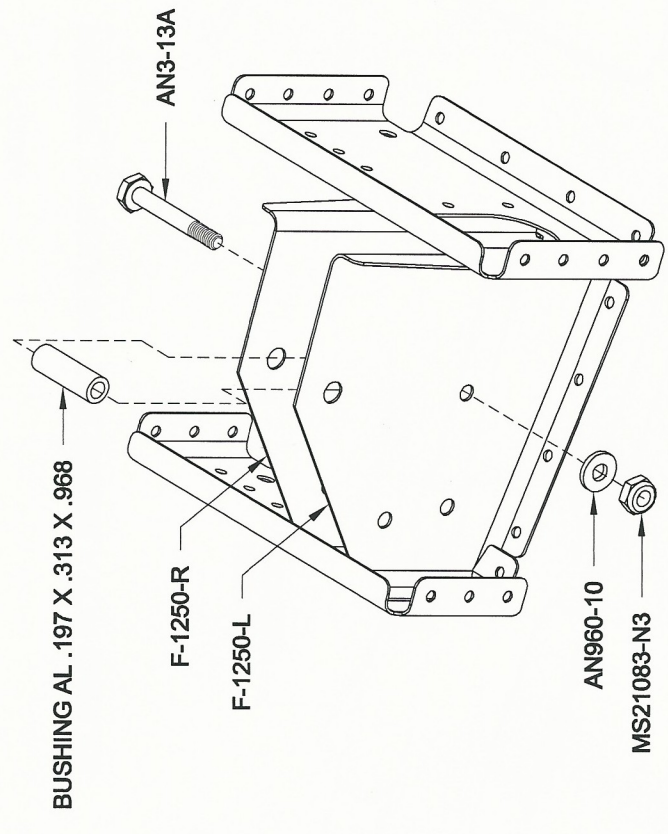


Step 1: Secure the F-1239 Rudder Cables to the horns of the WD-1206 Rudder Pedals using the F-1258-L & -R Rudder Cable links and the hardware called out in Figure 1.



**FIGURE 1: SECURING THE RUDDER CABLES**

Step 2: Install the bushing shown in Figure 2 between the F-1250-L & -R Pulley Brackets using the hardware called out.

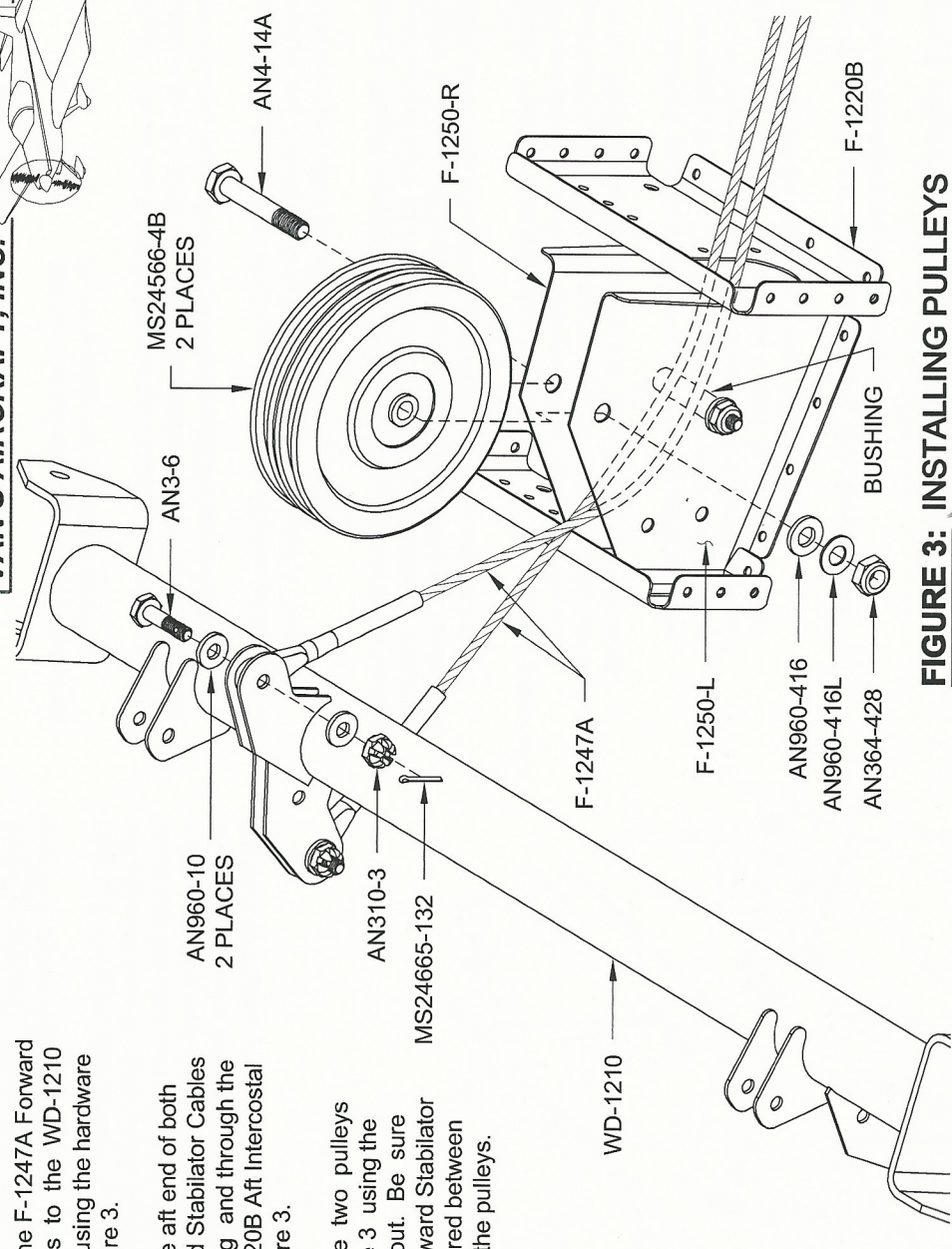


**FIGURE 2: INSTALLING BUSHING**

Step 3: Secure the F-1247A Forward Stabilizer Cables to the WD-1210 Control Column using the hardware called out in Figure 3.

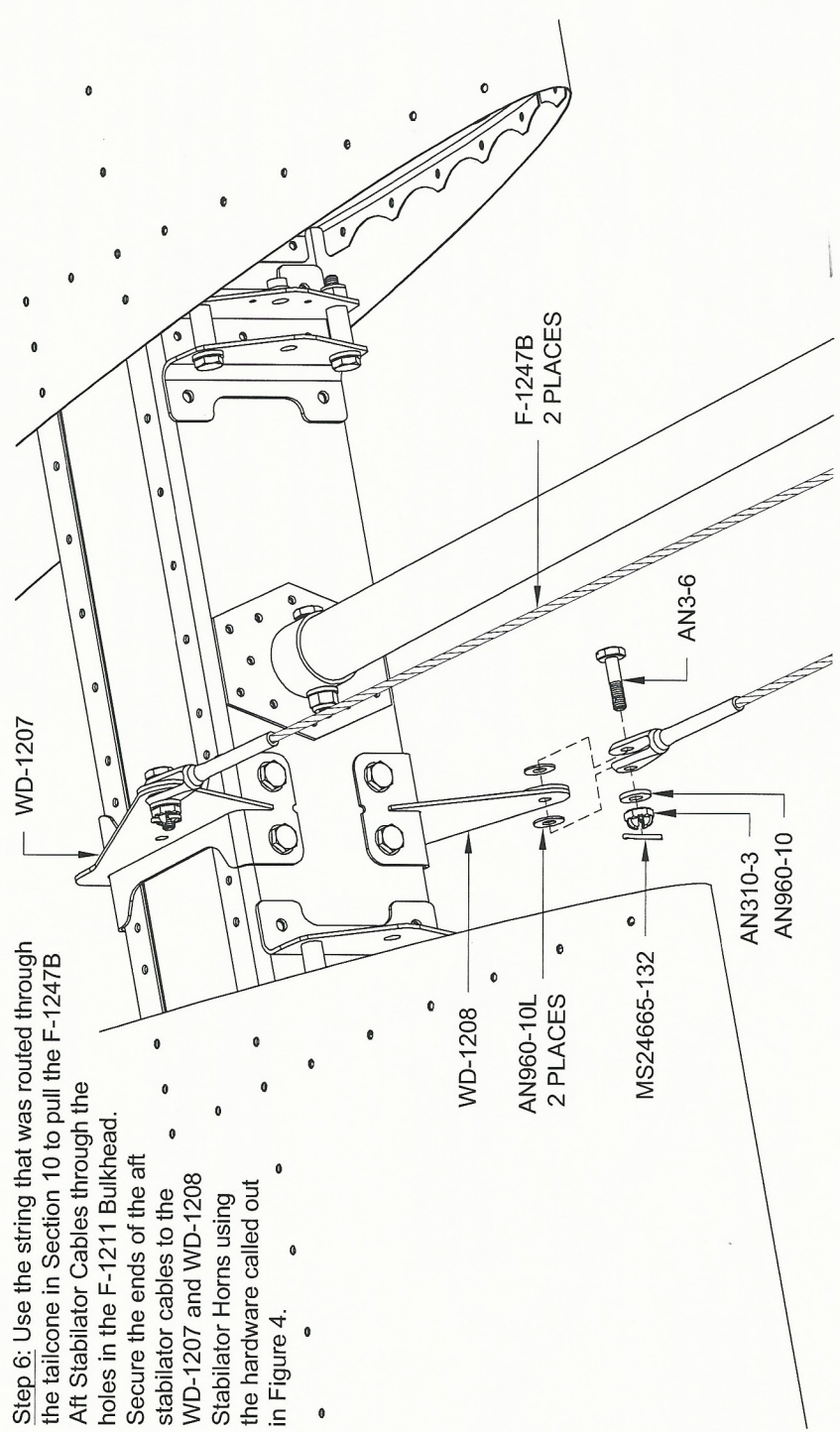
Step 4: Route the aft end of both F-1247A Forward Stabilizer Cables over the bushing and through the hole in the F-1220B Aft Intercoastal as shown in Figure 3.

Step 5: Install the two pulleys shown in Figure 3 using the hardware called out. Be sure the F-1247A Forward Stabilizer Cables are captured between the bushing and the pulleys.



**FIGURE 3: INSTALLING PULLEYS**

Step 6: Use the string that was routed through the tailcone in Section 10 to pull the F-1247B Aft Stabilizer Cables through the holes in the F-1211 Bulkhead. Secure the ends of the aft stabilizer cables to the WD-1207 and WD-1208 Stabilizer Horns using the hardware called out in Figure 4.



**FIGURE 4: CONNECTING THE STABILIZER CABLES**